

# NH KNIFE-BLADE

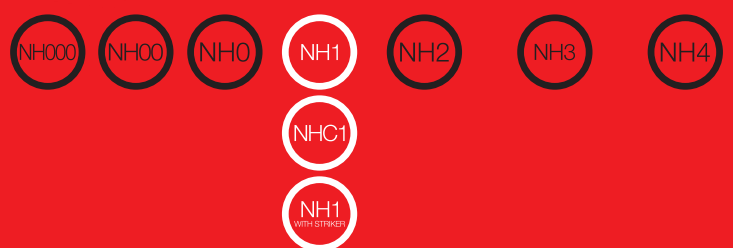
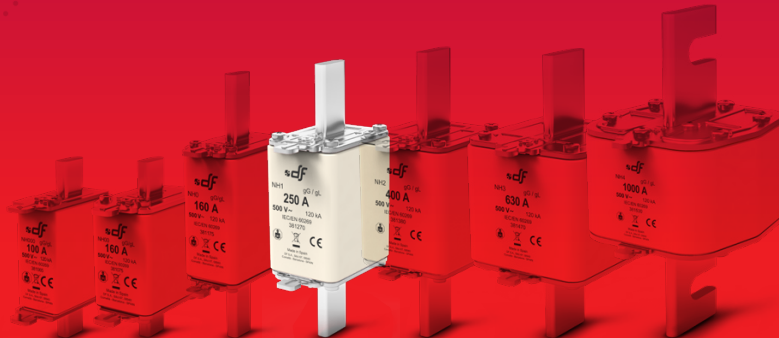
FUSE LINKS & FUSE BASES



# gG

## NH 500V

fuse links



# PROTECTING THE WORLD



RATED VOLTAGE  
500V

RATED CURRENT  
50A...355A

BREAKING CAPACITY  
120kA

STANDARDS  
IEC/EN 60269-1  
IEC/EN 60269-2



## Knife type NH gG 500V fuse links with top indicator

These high breaking capacity fuse-links are intended for protection of power lines and equipment, against overloads and short-circuits with rated voltages up to 500V AC (+10%).

The rated breaking capacity is 120 kA.

Compact versions in low rated currents of every size.

The range comprises the following fuse links:

- Size NHC1 gG 500V 50A to 160A
- Size NH1 gG 500V 200A to 355A
- Size NH1 with striker gG 500V 63A to 355A

Manufactured with ceramic body with high withstand to internal pressure and thermal shock, that allows a high breaking capacity. Knife contacts are made of silver plated copper or brass.

They are manufactured according to IEC/EN60269 Standards and comply with RoHS directive.



## Range

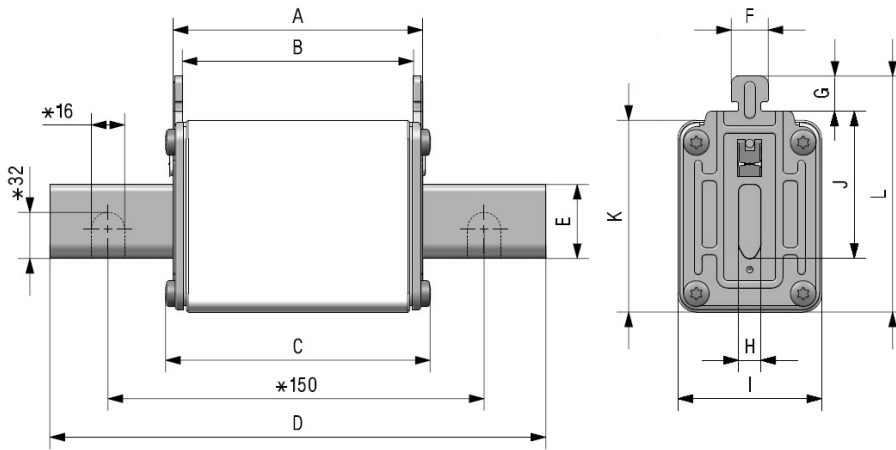
	$I_n$ (A)	REFERENCE	PACKING Uni /BOX
NHC1	50	<b>381230</b>	3/30
	63	<b>381235</b>	3/30
	80	<b>381240</b>	3/30
	100	<b>381245</b>	3/30
	125	<b>381250</b>	3/30
	160	<b>381255</b>	3/30
NH1	200	<b>381260</b>	3/30
	224	<b>381265</b>	3/30
	250	<b>381270</b>	3/30
	315*	<b>381280</b>	3/30
	355*	<b>381285</b>	3/30

\* Overtopping fuse links

	$I_n$ (A)	REFERENCE	PACKING Uni /BOX
NH1 WITH STRIKER	63	<b>395235</b>	3/30
	80	<b>395240</b>	3/30
	100	<b>395245</b>	3/30
	125	<b>395250</b>	3/30
	160	<b>395255</b>	3/30
	200	<b>395260</b>	3/30
	250	<b>395270</b>	3/30
	315*	<b>395280</b>	3/30
	355*	<b>395285</b>	3/30

\* Overtopping fuse links

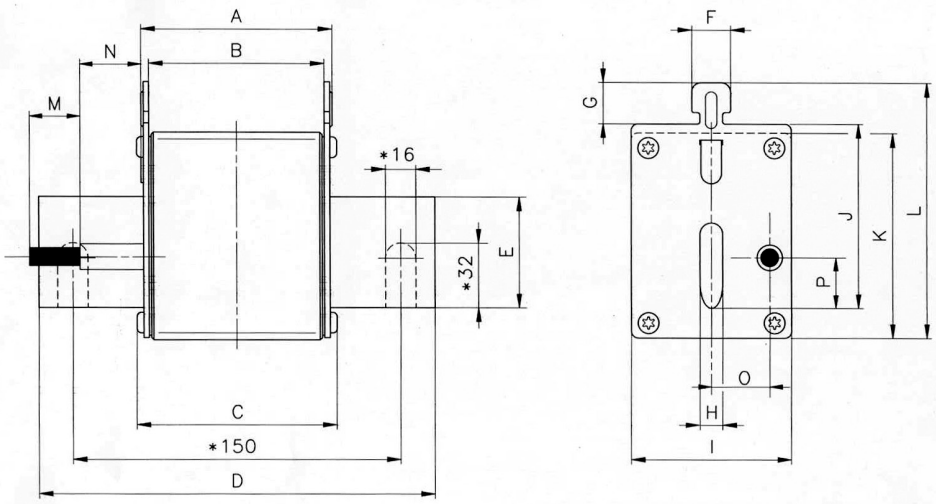
# Dimensions



\* Only for NH4 fuse links

	A	B	C	D	E	F	G	H	I	J	K	L
<b>NHC1</b>	68	62	70,5	135	15	10	9,5	6	29	40	47	64
<b>NH1</b>	68	62	71,5	135	20	10	9,5	6	39	40	52	64

**Weight** NHC1: 270gr | NH1: 380gr



\* Only for NH4 fuse links

A	B	C	D	E	F	G	H	I	J	K	L	M	N	O	P
68	62	71,5	135	20	10	9,5	6	39	40	52	64	15	28,5	16	14,5

**Weight** 380gr



## Technical data

Rated voltage	500V AC +10%
Rated current	50A...355A
Rated breaking capacity	120kA
Utilization category	gG
Rated frequency	42...62Hz
Storage temperature	-40°C ... 90°C
Operating temperature *	-40°C ... 80°C

\* For ambient temperatures higher than 25°C it is necessary to apply a derating in maximum current.

## Standards

IEC/EN 60269-1  
IEC/EN 60269-2  
RoHS Compliant



## Materials

Body	Steatite C221
Contact blades	Copper or brass (silver plated)
Plates	Aluminium
Screws	Zinc plated steel

## DC Application

RATED CURRENT	MAX DC VOLTAGE	DC BREAKING CAPACITY
50A...250A	250V DC	80kA
315A...355A	80V DC	80kA

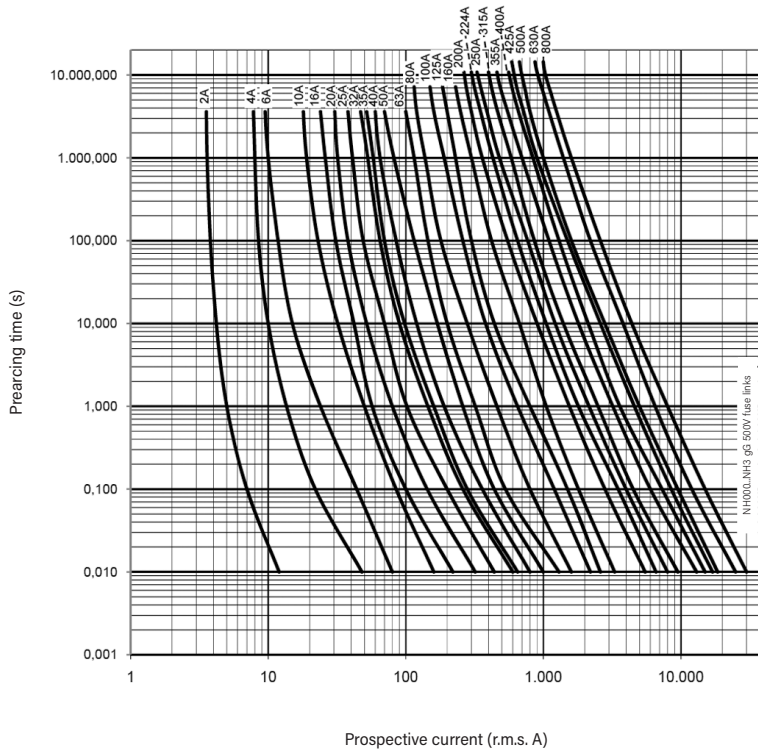
## Power dissipation

	$I_n$ (A)	POWER DISSIPATION (W)	PREARcing $I_t^2$ $\approx 4 \text{ ms (A}^2\text{s)}$	TOTAL $I_t^2$ 230V (A <sup>2</sup> s)	TOTAL $I_t^2$ 400V (A <sup>2</sup> s)	TOTAL $I_t^2$ 500V (A <sup>2</sup> s)
NHC1	50	5,5	5600	11075	14772	17500
	63	6,6	5700	16600	15800	22000
	80	7,7	9838	18600	29823	39350
	100	8,5	20400	38600	61692	81800
	125	10,9	40500	70900	107301	136895
	160	12,6	78400	137000	207711	265000
NH1	200	17,0	98100	159600	228666	282540
	224	17,5	138300	225000	322455	398400
	250	20,2	169000	274700	393447	486000
	315	27,4	236700	435300	682917	890000
	355	35,8	290960	535100	839445	1094000

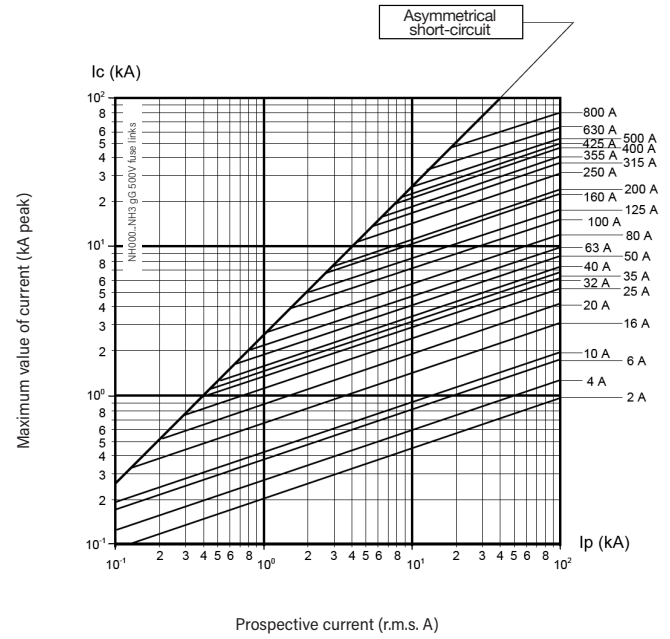
\* Same data for STRIKER range (63A up to 355A)



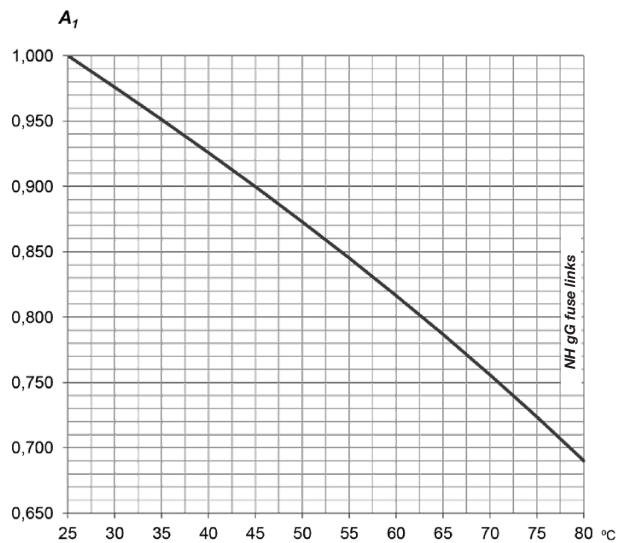
## t-I characteristics



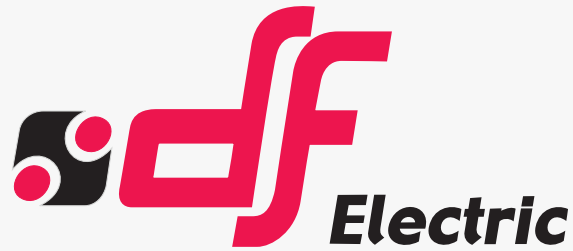
## Cut-off characteristics



## Ambient temperature derating factor



$t_a$ (°C)	$A_1$
25	1,00
30	0,98
35	0,95
40	0,93
45	0,90
50	0,87
55	0,84
60	0,82
65	0,79
70	0,76
75	0,72
80	0,69



# PROTECTING THE WORLD

### HEAD OFFICE AND FACTORY

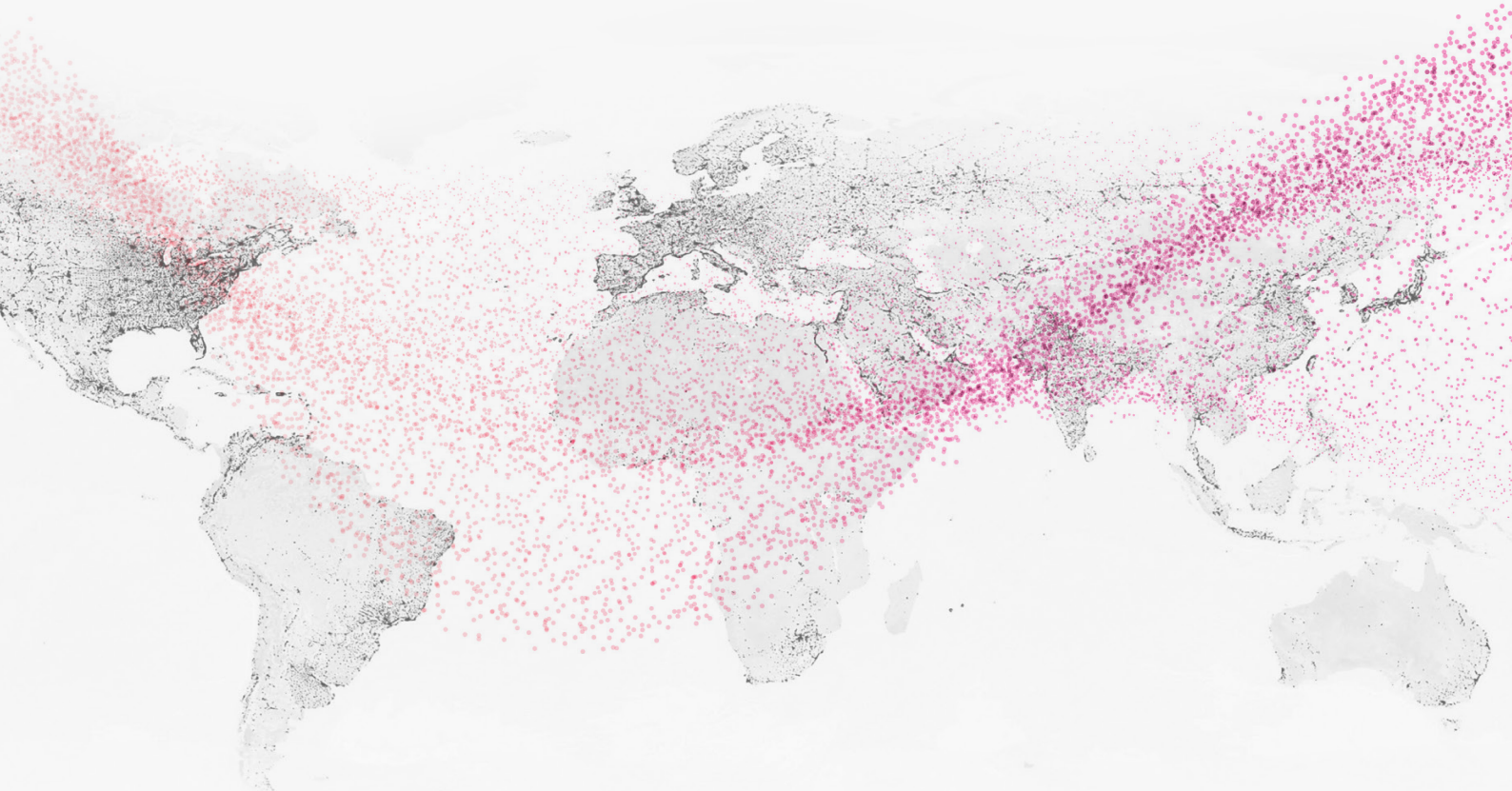
SILICI, 67-69  
08940 CORNELLA DE LLOBREGAT  
BARCELONA · SPAIN  
Tel. +34 93 377 85 85  
Fax +34 93 377 82 82

### INTERNATIONAL SALES

Tel. +34 93 475 08 64  
Fax +34 93 480 07 75  
export@dfelectric.es

### NATIONAL SALES

Tel. 93 475 08 64  
Fax 93 480 07 76  
comercial@dfelectric.es



dfelectric.es



According to the waste of electrical and electronic equipment directive, electrical material should not be part of the usual waste. This symbol alerts users that these products should be recycled according to local environmental waste disposal regulations.



The "electro technical expert" logo marked on the products included in this data sheet indicates that the installation of these products must be carried out by expert personnel with specialized knowledge.



To prevent electrical hazards, carry out the installation without voltage.



**Safety notice**  
Please capture the following QR code and read our safety notice carefully before installing our products.



The data reflected in this technical record are subject to the correct installation of the product in accordance with manufacturer's instructions, relevant installation standards and professional practices, maintained and used in applications for which they were made.

The products described in this document have been designed, developed and tested in accordance with specific standard. They are considered components that are integrated as part of installation, machine or equipment. The correct general operation of the referred product is responsibility of the manufacturer of the installation, machine or equipment.

DF ELECTRIC cannot guarantee the characteristics of an installation, machine or equipment that has been designed by a third party. Once a product has been selected, the user must verify that it is appropriate for its application, through the verifications and/or tests that it deems appropriate.

DF ELECTRIC retains the right to change the dimensions, specifications, materials or design of its products at any time with or without notice.

©2020 DF Electric. All rights reserved